

Sprague Rappaport Stethoscope

Liberty



Because of its versatility, the Sprague Rappaport Stethoscope is an excellent choice for medical students, paediatricians and cardiologists.

With the flexibility of 5 different chest-piece attachments, the stethoscope is highly useful in the detection of a wide range of heart and lung sounds in adults, children and infants. The ability to detect high, medium and low frequencies is achieved by using the different accessories (see over).

Features

- The threaded chest piece allows the use of 5 interchangeable chest piece fittings, with two separate tubes
- An adult and pediatric diaphragm and three bells for accurate detection of high, middle and low frequency sounds in children and adults
- Tubing Length: 56cm
- Stethoscope Length: 81.3cm
- Adjustable binaural, Dual head chest piece
- Accessory pouch containing 2 spare diaphragms, one pair of mushroom ear tips and one pair of silicone ear tips
- Warranty: 12 Month Manufacturer's Warranty
- Complete with instruction manual







Chest Piece



Ear Tips



Product Code	Description	
LSPR010BKCS	SPRAGUE RAPPAPORT BLACK	
LSPR010HGCS	SPRAGUE RAPPAPORT HUNTER GREEN	
LSPR010PUCS	SPRAGUE RAPPAPORT PURPLE	
LSPR010RBCS	SPRAGUE RAPPAPORT ROYAL BLUE	
LSPR010TCS	SPRAGUE RAPPAPORT TEAL	
LSPR010P	SPARE POUCH ONLY	



Prepared by: Paragon Medical Pty Ltd trading as LR Instruments ABN 76 133 072 107
 Unit 7/100 New Street (PO Box 458) Ringwood VIC 3134
 Contact Details: P (03) 9870 7066 | F (03) 9870 1638 | E info@lrinstruments.com.au
 File Name: LSPR010_Sprague-Rappaport_v2-0

First Prepared: 21/01/15 Eevien Tan
 Release Approval: 21/01/15 Lee Carter
 Version Control: V2.0 Page 1 | 2

Sprague Rappaport Stethoscope

Liberty



Diaphragm

Use the diaphragm to detect faint high pitched respiratory sounds and components of certain cardiac sounds. The diaphragm attenuates low pitched frequencies thereby making high pitched frequencies easier to recognise. To accommodate a range of patients, use the various sized diaphragms to better isolate the origin of sounds. Included are both child and adult sizes.

Large Diaphragm

Generally, this chest-piece is used to detect heart sounds of low frequency, diastolic and third heart sounds, as well as first and second heart sounds. The high pitched murmurs emitting from the heart are also detectable.

Small Diaphragm

This is designed to hear infant heart sounds of high pitched nature.

Accessory Kit

The accessory kit contains the following components:

- Spare adult and child plastic diaphragm
- Three bells (1 adult, 1 child and 1 infant)
- Two sets ear tips (mushroom style and clear PVC)

Bell

Use the bell to detect low frequency cardiac sounds such as first and second heart sounds. As with diaphragms, you can match the bell size to your patient to better locate the sound origin. For this reason, we provide three different sized bells: infant, child and adult.

Adult Size Bell

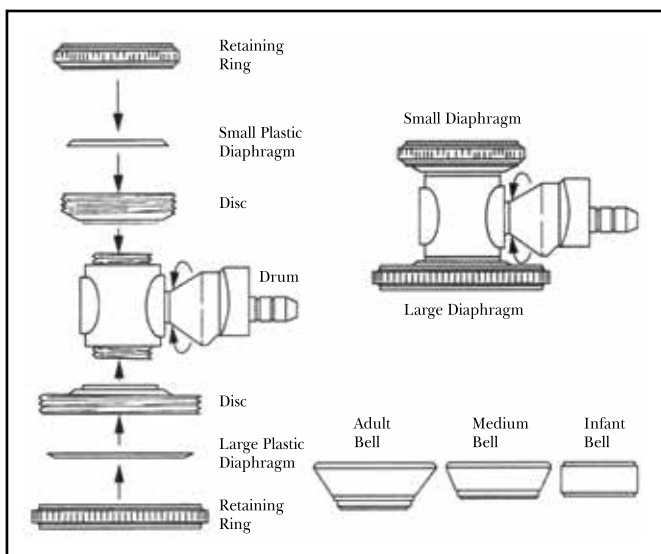
To pinpoint low and medium pitched sounds and murmurs.

Medium Size Bell

Concentrates on narrow spots such as between ribs or any other small places to detect low and medium pitched sounds and murmurs.

Infant Size Bell

Best suits the examination of infants and small children, low and medium pitched sounds and murmurs.



Prepared by: Paragon Medical Pty Ltd trading as LR Instruments ABN 76 133 072 107
 Unit 7/100 New Street (PO Box 458) Ringwood VIC 3134
 Contact Details: P (03) 9870 7066 | F (03) 9870 1638 | E info@lrinstruments.com.au
 File Name: LSPR010_Sprague-Rappaport_v2-0

First Prepared: 21/01/15 Eevien Tan
 Release Approval: 21/01/15 Lee Carter
 Version Control: V2.1 Page 2 | 2

Disclaimer: All images are included for reference only. Features and specifications are subject to change without prior notice.
 Goods supplied may vary from those illustrated due to continual improvements and/or regulation changes. E & OE
 Visit our website at: <http://www.lrinstruments.com.au>