



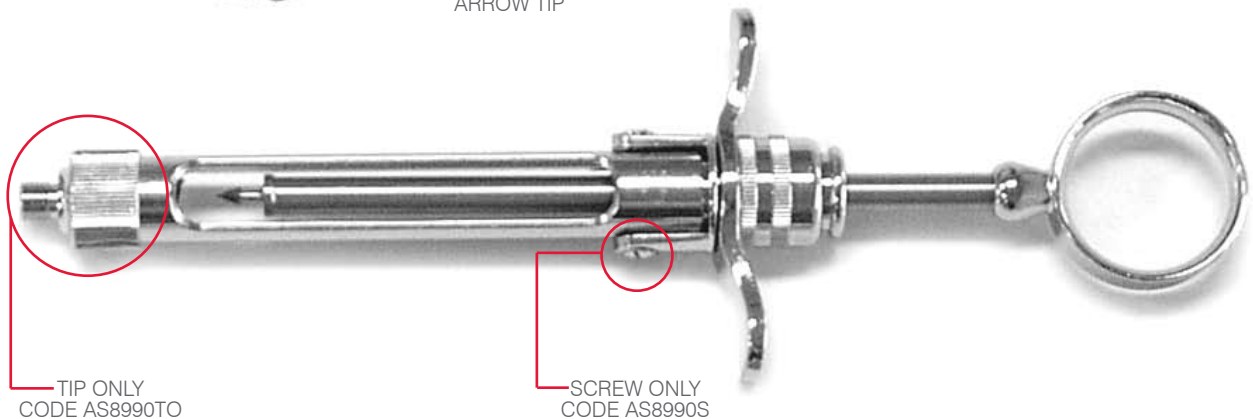
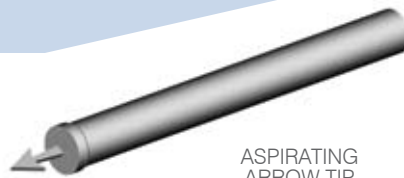
## DENTAL SYRINGE ASPIRATING

### Dental Cartridge Syringe with Aspiration

- Suitable for all commercially available dental cartridges with solid plug
- Bending mechanism for effortless insertion of the dental cartridges (breach loading)
- Front part is screwed on and can be removed (metric and imperial (US) thread front part can be interchanged)
- Secure handling and easy cleaning
- Autoclavable at 134°C

### Features

- Ergonomic
- Contemporary design
- Breach loading
- Autoclavable



Product Code	Description
AS8990ASP	DENTAL CARTRIDGE SYRINGE 2.2ML WITH ASPIRATION - ARROW TIP
AS8990TO	TIP FOR ASPIRATING DENTAL SYRINGE
AS8990S	SCREW FOR BARRELL
AS8990ACT	DENTAL SYRINGE WITH CONE TIP (NO LONGER AVAILABLE - DISCONTINUED)

All images are included for reference only. Goods supplied may vary from those illustrated due to continual improvements and/or regulation changes. Reference for Information: [http://www.contecmed.com.cn/main/product\\_show.asp?ArticleID=509](http://www.contecmed.com.cn/main/product_show.asp?ArticleID=509)

E&OE First Published: 7 April 2009  
Last Modified: 13 October 2011  
File Name: info\_AS8990\_DENTAL-SYRINGE





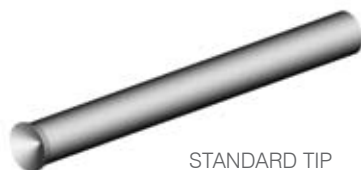
## DENTAL SYRINGE NON ASPIRATING

### Dental Cartridge Syringe without Aspiration

- Suitable for all commercially available dental cartridges with solid plug
- Bending mechanism for effortless insertion of the dental cartridges (breech loading)
- Front part is screwed on and can be removed (metric and imperial (US) thread front part can be interchanged)
- Secure handling and easy cleaning
- Autoclavable at 134°C

### Features

- Ergonomic
- Contemporary design
- Breech loading
- Autoclavable



CODE	DESCRIPTION
AS8990	DENTAL CARTRIDGE SYRINGE 2.2ML (NON ASPIRATING) - STANDARD TIP
AS8990S	SCREW FOR BARRELL

E&OE First Published: 7 April 2009  
Last Modified: 13 October 2011  
File Name: info\_AS8990\_DENTAL-SYRINGE

